



MITSUBISHI ELECTRIC AUTOMATION (THAILAND) CO., LTD.

Bang-Chan Industrial Estate No. 111 Moo 4, Serithai Rd., T.Kannayao, A.Kannayao, BKK 10230 Thailand
 Tel: (66) 2517-1326, (66) 2919-9873 Fax: (66) 2517-1328 URL: www.meath-co.com E-mail: support@meath.co.th

บริษัท มิตซูบิชิ อิเล็กทริก ออโตเมชั่น (ประเทศไทย) จำกัด

นิติบุคคลสาขาระบบงานอัตโนมัติ เลขที่ 111 หมู่ 4 ถนนเสรีไทย แขวงคันนายาว เขตคันนายาว กทม. 10230

โทรศัพท์: (66) 2517-1326, (66) 2919-9873 โทรสาร: (66) 2517-1328 URL: www.meath-co.com E-mail: support@meath.co.th

MOTOR SPECIFICATION SHEET

MODEL : SF-QRGC 1/2HP 4P RATIO 1:11 (LT)

USED FOR : GEAR MOTOR

DESCRIPTION	DETAIL			
PHASE	3			
MODEL NAME	SF-QRGC			
RATED OUTPUT, HP (kW)	1/2 (0.4)			
POLE	4			
CODE	MEATH CODE : 1G1011-005N6080QR0			
OUTLINE DRAWING NO.	ONM74O311-A			
RATED VOLTAGE (V)	220	380	415	
RATED FREQUENCY (Hz)	50	50	50	
RATED CURRENT (A)	2.00	1.14	1.18	
RATED SPEED (min ⁻¹) *	127	127	129	
RATED EFFICIENCY (%)	73.3	73.3	72.0	
EFFICIENCY CLASS	IE1			
THERMAL CLASS	155(F)			
RATING	S1 (CONTINUOUS)			
ENCLOSURE CONSTRUCTION	TOTALLY ENCLOSED FAN COOLED			
DEGREES OF PROTECTION	IP55			
METHOD OF COOLING	IC411			
FRAME NO.	71M			
WEIGHT (kg)	12			
STANDARD	IEC 60034-1, IEC 60034-30-1			
INSTALLATION	FOOT MOUNTED			
ROTATION	CW (VIEWED FROM SHAFT END)			
BEARING	LOAD SIDE : 6202ZZ			
	OPPOSITE SIDE : 6201ZZ			
BEARING GREASE	UREA GREASE			
CIRCUMSTANCE CONDITION	AMBIENT TEMPERATURE : -20 ~ +40°C			
	AMBIENT HUMIDITY : 95%RH OR LESS			
	ABOVE SEA LEVEL : 1000m OR LESS			
	ENVIRONMENT : NO BURSTING/EROSIVE GAS OR VAPOR			
COLOR	MUNSELL N1.5 (BLACK)			
TERMINAL BOX	NO. OF LEAD WIRES : 6			
	SOURCE CONNECTION : TERMINAL BLOCK			
GEAR RATIO	1:11			
GEAR LUBRICANT	GREASE (Filled from factory.)			
SERVICE FACTOR	1.48			
MATERIAL	FRAME : STEEL PLATE			
	BRACKET (GEAR SIDE) : CAST IRON			
	BRACKET (OPP SIDE) : STEEL PLATE			
	GEAR CASE : ALUMINIUM			
	SHAFT (MOTOR) : STEEL			
	SHAFT (GEAR OUTPUT) : STEEL			
	STATOR CORE : ELECTRICAL STEEL			
	WIRE : ENAMELLED COPPER MAGNET WIRE			
	ROTOR CORE : ELECTRICAL STEEL			
	CONDUCTOR : ALUMINIUM			
	TERMINAL BOX : STEEL PLATE			
	PAINTING : POLYURETHANE RESIN			
	PRODUCTION COUNTRY	THAILAND		

* THIS VALUE IS CALCULATED BY " MOTOR RATED SPEED / GEAR RATIO ".
 (SPECIFICATION VALUE IS 132 min⁻¹ .)

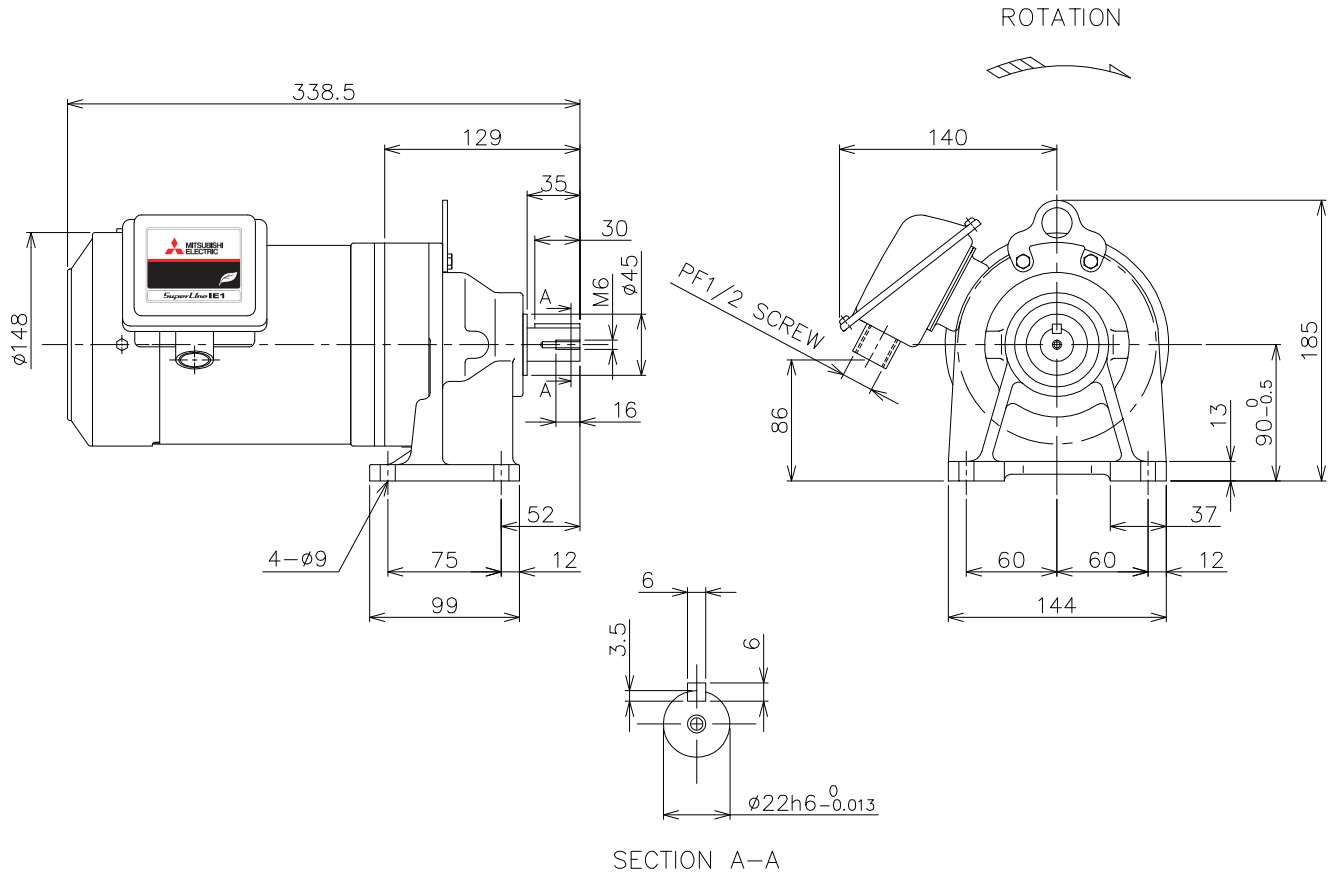
Specifications subject to change without notice.

SPECIFICATION SHEET NO.				
SS-M-7773-B				

MODEL SF-QRGC THREE PHASE INDUCTION MOTOR OUTLINE DRAWING

GEAR MOTOR
 TOTALLY ENCLOSED FAN COOLED
 DEGREES OF PROTECTION IP55
 DUST & WATER JET PROOF

CUSTOMER _____
 USER _____
 FOR _____
 CUSTOMER'S ORDER NO. _____
 QUANTITY _____
 MFG. ORDER NO. _____



YOUR ORDER	MOTOR FRAME SIZE	RATING	TH. CLASS	AMB. TEMP	BEARINGS		COLOR	DIRECTION OF ROTATION (VIEWED FROM SHAFT END)	NO. OF LEAD WIRES	REMARKS
					LOAD SIDE	OPP. SIDE				
	71M	S1 (CONT.)	155(F)	40°C	6202ZZ	6201ZZ	BLACK (MUNSELL N1.5)	CW	6	

YOUR ORDER	GEAR MODEL	RATIO	SERVICE FACTOR	MOTOR OUTPUT		POLE	VOLT	HERTZ	OUTPUT SPEED (min ⁻¹)	AMP.	IE CODE - RATED EFF.	TYPE	LUBRICATION TYPE	WEIGHT (kg)
				HP	KW									
	CNHM05-6080-6	1:6	1.48	1/2	0.4	4	220/380/415	50	242	2.00/1.14/1.18	IE1-73.3%/73.3%/72.0%	LT	GREASE ⁽¹⁾	12
	CNHM05-6080-11	1:11	1.48	1/2	0.4	4	220/380/415	50	132					
	CNHM05-6080-15	1:15	1.48	1/2	0.4	4	220/380/415	50	97					
	CNHM05-6080-17	1:17	1.48	1/2	0.4	4	220/380/415	50	85					
	CNHM05-6085-21	1:21	1.38	1/2	0.4	4	220/380/415	50	69					

NOTE : (1) GREASE HAD BEEN FILLED FROM MANUFACTURER ALREADY.

MITSUBISHI ELECTRIC AUTOMATION (THAILAND) CO., LTD.

	OUTLINE DRAWING NO.	REV.
	0 N M 7 4 0 3 1 1	A

DIMENSION IN mm.
 SCALE : NTS